

Collaborative Robots

TM5

Collaborative robot for assembly, packaging, inspection and logistics

- Designed to promote a safe and harmonious workplace between humans and machines.
- Easy-to-use graphical programming environment for quick startup and operation.
- Built-in vision-based robot control enables visual servoing, inspection, and measurement operations.
- TMvision and landmark allows truly flexible, fast changeover.
- Plug & Play ecosystem provides the tools and versatility for many manufacturing needs.
- Capability to integrate with mobile robots enables fully autonomous machine tending and logistics handling applications.



Specification

| | | TM5 | | | | | |
|----------------------------|---------------|--|------------------|------------------|-----------------------|------------------|------------------|
| Product Name | | TM5-700 | TM5M-700 | TM5M-700 SEMI | TM5-900 | TM5M-900 | TM5M-900 SEMI |
| Part Number | | RT6-000700□ | RT6-010700□ | RT6-010701□ | RT6-000900□ | RT6-010900□ | RT6-010901□ |
| Weight (kg) | | 22.1 | | | 22.6 | | |
| Controller Weight (kg) | | 13.5 | 14.5 | 14.5 | 13.5 | 14.5 | 14.5 |
| Max Payload (kg) | | 6 | | | 4 | | |
| Reach (mm) | | 700 | | | 900 | | |
| Mounting | | Wall, Table, Ceiling | | | | | |
| Typical Speed (m/s) | | 1.1 | | | 1.4 | | |
| Joint Range | Joint 1 | ±270° | | | | | |
| | Joint 2, 4, 5 | ±180° | | | | | |
| | Joint 3 | ±155° | | | | | |
| | Joint 6 | ±270° | | | | | |
| Joint Speeds | Joint 1, 2, 3 | 180°/s | | | | | |
| | Joint 4, 5, 6 | 225°/s | | | | | |
| Repeatability (mm) | | ±0.05 | | | | | |
| IP | | IP54 (robot arm), IP32 (control box), IP40 (robot stick) | | | | | |
| Cleanroom Class | | ISO Class 5 | | | | | |
| Operating Temperature (°C) | | 0 to 50 | | | | | |
| Power Supply | | 100-240 VAC, 50-60 Hz | 22-60 VDC | 22-60 VDC | 100-240 VAC, 50-60 Hz | 22-60 VDC | 22-60 VDC |
| Robot Arm Cable Length | | 3m/12m | 1.5m | 1.5m | 3m/12m | 1.5m | 1.5m |
| I/O Ports | Control Box | Digital In: 16 Digital Out: 16 Analog In: 2 Analog Out: 1 | | | | | |
| | Tool | Digital In: 4 Digital Out: 4 Analog In: 1 Analog Out: 0 | | | | | |
| I/O Interface | | 3 X COM, 1 X HDMI, 3 X LAN, 4 X USB2.0, 2 X USB3.0 | | | | | |
| Communication | | RS232, Ethernet (master), Modbus TCP/RTU (master & slave) | | | | | |
| Integrated Camera | | 5M pixels, color | 5M pixels, color | 5M pixels, color | 5M pixels, color | 5M pixels, color | 5M pixels, color |
| I/O Power Supply | | 24V 1.5A (control box and tool) | | | | | |
| Programming Environment | | TMflow, flowchart based | | | | | |
| SEMI S2 Certified* | | No | No | Yes | No | No | Yes |

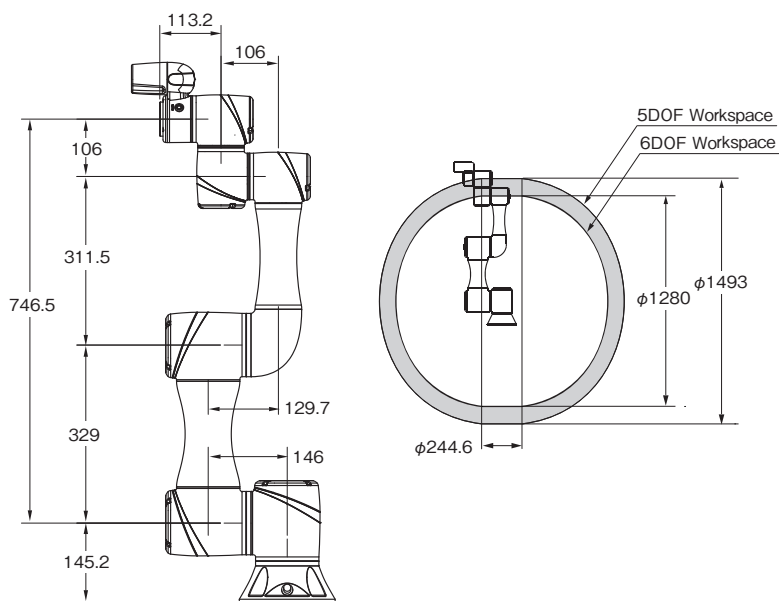
* SEMI safety SEMI safety guidelines are issued by an industry association with the same name: SEMI (Semiconductor Equipment and Materials International), which is the central global network of manufacturers of micro- and nano-electronics industries.

* SEMI S2 is the most well-known standard in semiconductor manufacturing equipment for Environmental, Health, and Safety (EHS).

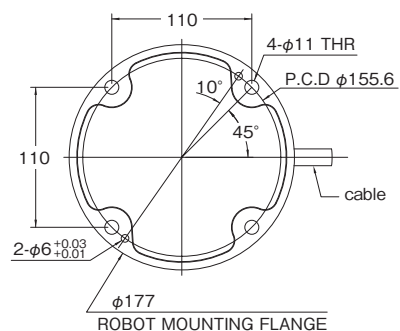
Dimensions

(Unit: mm)

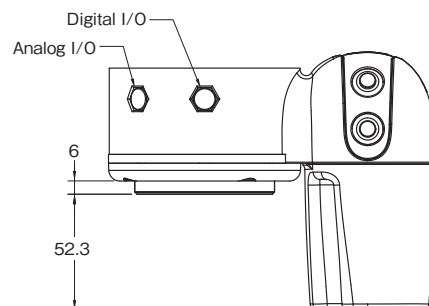
TM5-700



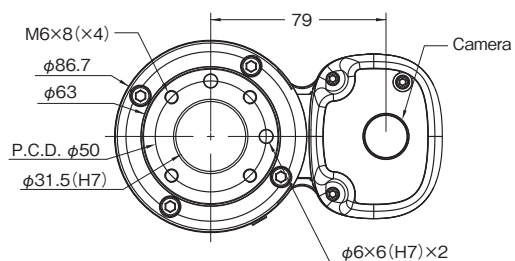
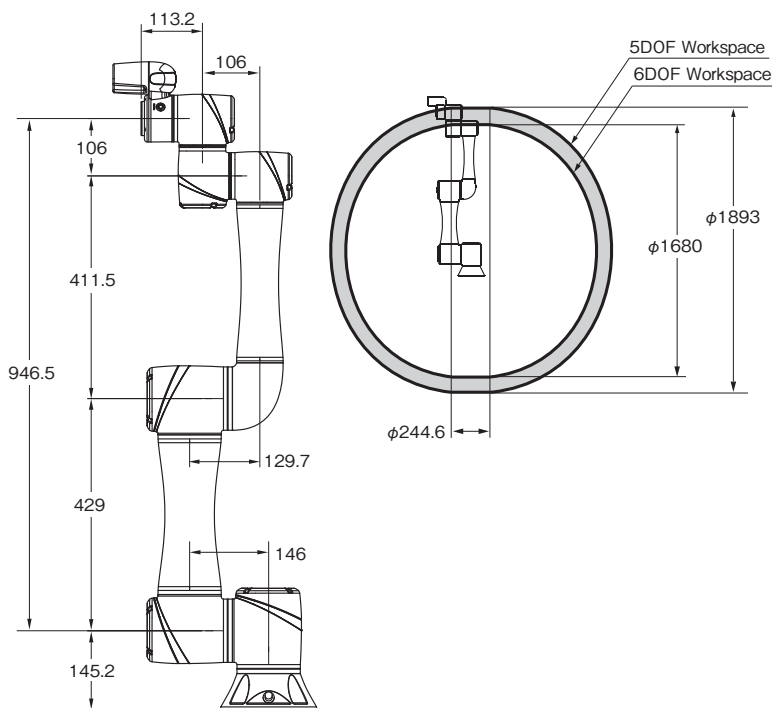
Footprint



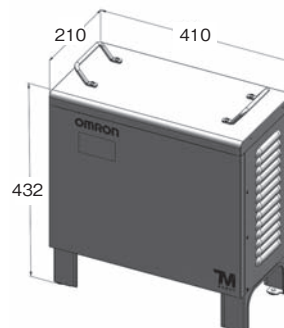
Flange



TM5-900



Control Box



Collaborative Robots TM12/14

Collaborative robot for assembly, packaging, inspection and logistics

- Designed to promote a safe and harmonious workplace between humans and machines.
- Easy-to-use graphical programming environment for quick startup and operation.
- Built-in vision-based robot control enables visual servoing, inspection, and measurement operations.
- TMvision and landmark allows truly flexible, fast changeover.
- Plug & Play ecosystem provides the tools and versatility for many manufacturing needs.
- Capability to integrate with mobile robots enables fully autonomous machine tending and logistics handling applications.



TM12

TM14

Specifications

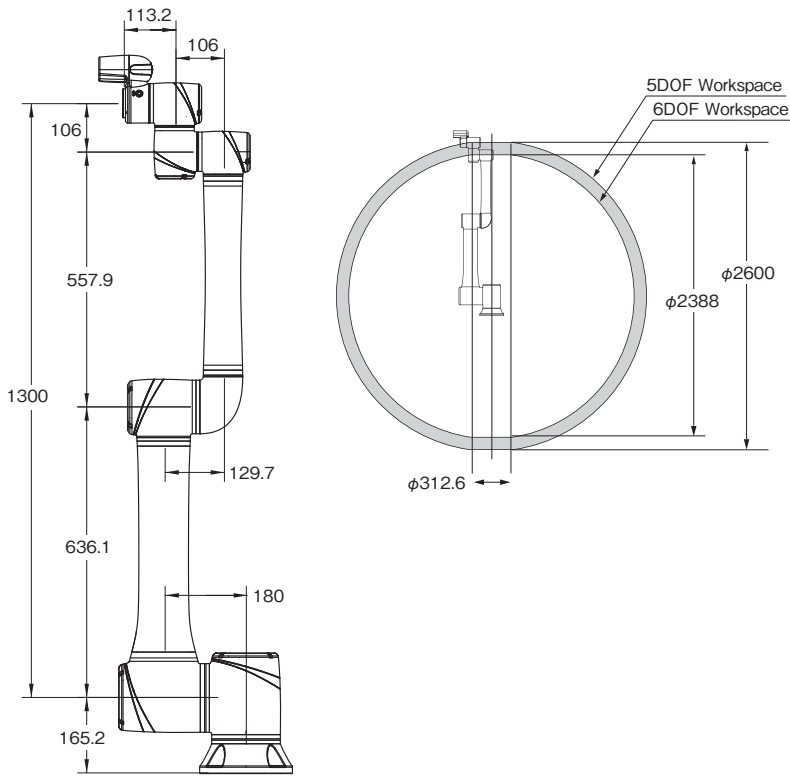
| | | TM12 | | | TM14 | | |
|----------------------------|---------------|--|------------------|------------------|-----------------------|------------------|------------------|
| Product Name | | TM12 | TM12M | TM12M SEMI | TM14 | TM14M | TM14M SEMI |
| Part Number | | RT6-110130□ | RT6-110130□ | RT6-110131□ | RT6-200110□ | RT6-210110□ | RT6-210111□ |
| Weight (kg) | | 33.3 | | | 32.6 | | |
| Controller Weight (kg) | | 13.8 | 14.5 | 14.5 | 13.8 | 14.5 | 14.5 |
| Max Payload (kg) | | 12 | | | 14 | | |
| Reach (mm) | | 1300 | | | 1100 | | |
| Mounting | | Wall, Table, Ceiling | | | | | |
| Typical Speed (m/s) | | 1.3 | | | 1.1 | | |
| Joint Range | Joint 1 | ±270° | | | | | |
| | Joint 2, 4, 5 | ±180° | | | | | |
| | Joint 3 | ±166° | | | ±163° | | |
| | Joint 6 | ±270° | | | | | |
| Joint Speeds | Joint 1, 2 | 120°/s | | | | | |
| | Joint 3 | 180°/s | | | | | |
| | Joint 4, 5 | 180°/s | | | 150°/s | | |
| | Joint 6 | 180°/s | | | | | |
| Repeatability (mm) | | ±0.1 | | | | | |
| IP | | IP54 (robot arm), IP32 (control box), IP40 (robot stick) | | | | | |
| Cleanroom Class | | ISO Class 5 | | | | | |
| Operating Temperature (°C) | | 0 to 50 | | | | | |
| Power Supply | | 100-240 VAC, 50-60 Hz | 22-60 VDC | 22-60 VDC | 100-240 VAC, 50-60 Hz | 22-60 VDC | 22-60 VDC |
| Robot Arm Cable Length | | 3m/12m | 1.5m | 1.5m | 3m/12m | 1.5m | 1.5m |
| I/O Ports | Control Box | Digital In: 16 Digital Out: 16 Analog In: 2 Analog Out: 1 | | | | | |
| | Tool | Digital In: 4 Digital Out: 4 Analog In: 1 Analog Out: 0 | | | | | |
| I/O Interface | | 3 X COM, 1 X HDMI, 3 X LAN, 4 X USB2.0, 2 X USB3.0 | | | | | |
| Communication | | RS232, Ethernet(master), Modbus TCP/RTU (master & slave) | | | | | |
| Integrated Camera | | 5M pixels, color | 5M pixels, color | 5M pixels, color | 5M pixels, color | 5M pixels, color | 5M pixels, color |
| I/O Power Supply | | 24V 1.5A (control box and tool) | | | | | |
| Programming Environment | | TMflow, flowchart based | | | | | |
| SEMI S2 Certified* | | No | No | Yes | No | No | Yes |

* SEMI safety SEMI safety guidelines are issued by an industry association with the same name: SEMI (Semiconductor Equipment and Materials International), which is the central global network of manufacturers of micro- and nano-electronics industries. SEMI S2 is the most well-known standard in semiconductor manufacturing equipment for Environmental, Health, and Safety (EHS).

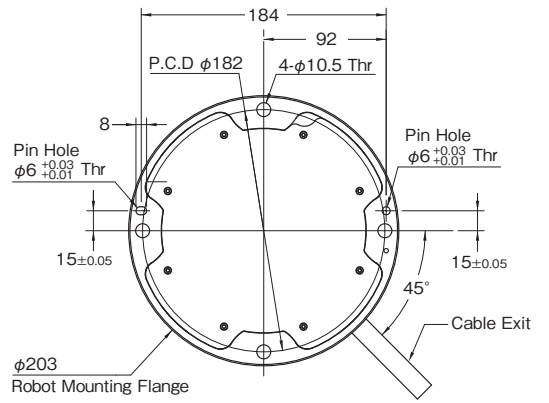
Dimensions

(Unit: mm)

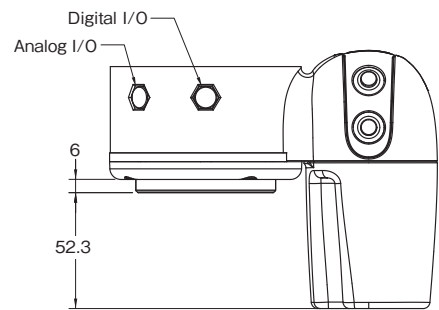
TM12



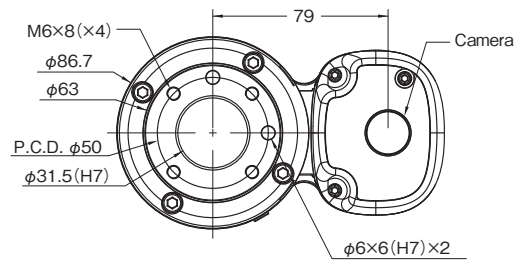
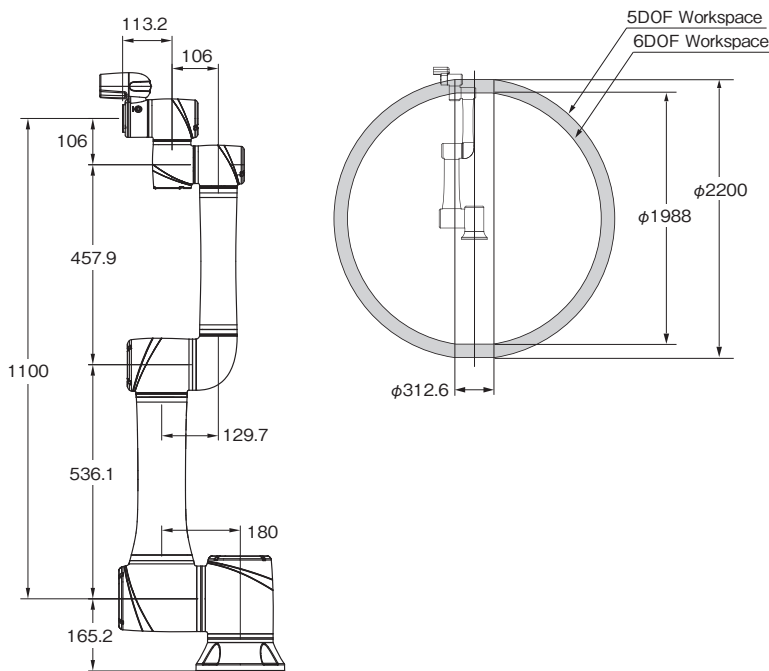
Footprint



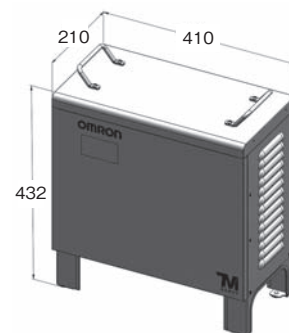
Flange



TM14










Control Box



Accessories & Software

Accessories

| Appearance | Product Name | Description | Remarks | Part Number |
|---|--|---|---|-------------|
|  | Landmark | Robot positioning tool as a reference to the environment. | 2 included with purchase of a robot. | RT6-A000008 |
|  | Mobile Workstation (MWS) | MWS is a convenient tool for users to mount the robot arm on work surface, and store the control box safely within. Users can move the MWS with the robot to different work cells easily. | Compatible with OMRON TM5 only. | RT6-A000010 |
|  | Robot stand | Similar to MWS, the robot stand can be moved with the robot to different work stations easily. | Height adjustable. Compatible with OMRON TM5 only. | RT6-A000009 |
|  | SSD with cable | 128 GB solid state hard drive. | SATA cable included. Recommended for external cameras image logging. | RT6-A000012 |
|  | Kit, calibration set with additional pin | Toolkit for teaching a precise tool center point (TCP) that can be used for manual workspace calibration within TMvision | Required for TCP and manual vision calibration | RT6-A000002 |
|  | Robot stick stand | Mounting fixture for the robot stick. | Can be used on desktops, walls, and MWS. | RT6-A000000 |
|  | Pneumatic control box | Controls the inputs and outputs and monitors air pressure for Kilews screw driving applications. | Compatible with Kilews screw driving solution kit only. Recommended to attach to the robot stand. | RT6-A000015 |

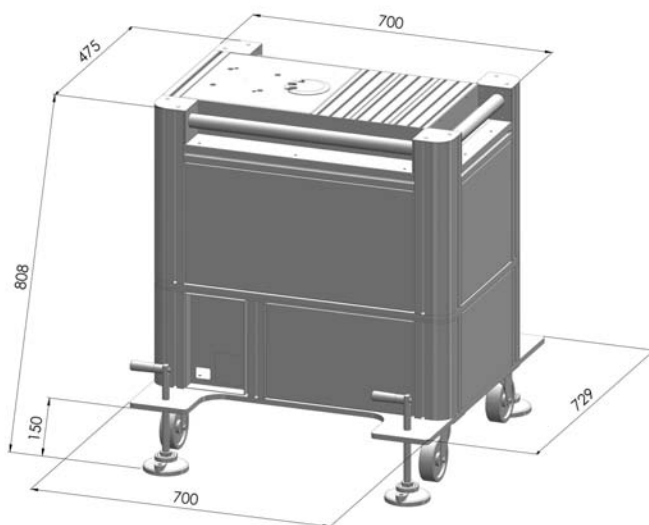
Software

| Product Name | Add-On Product Names | Part Number | Add-On Part Numbers | Remarks |
|---------------|-----------------------------|--------------------|---------------------|--|
| USB Dongle | - | RT6-A000004 | - | Required for all extra software licenses. |
| TMflow | - | N/A, Free Download | - | Software required to control the cobot. |
| | TM Identify & Measure | - | RT6-S100000 | License, add-on to TMflow. Includes: identification of pose variation, specific color area size, subtract reference image, line/circle burr, counting and gauge. |
| | TM External Vision | - | RT6-S100002 | License, add-on to TMflow. Required when using eye-to-hand cameras. |
| | TM OCR | - | RT6-S100003 | License, add-on to TMflow. Includes: Text OCR and Number OCR. |
| TMflow Editor | - | RT6-S200001 | - | License, provides a convenient way to open and edit project offline. |
| | TMflow Editor - Offline AOI | - | RT6-S100005 | License, add-on to TMflow Editor. Enables TMflow Editor to offline edit a TMflow project that includes AOI vision. |

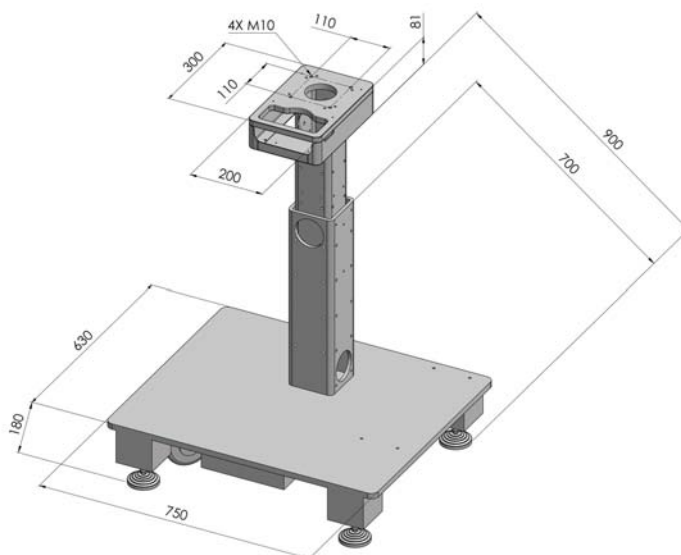
Accessories Dimensions

(Unit: mm)

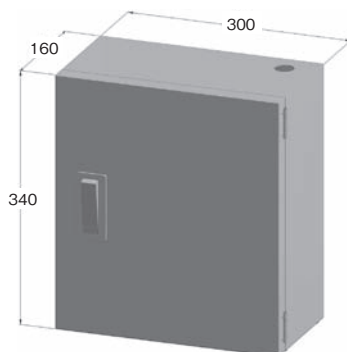
Mobile Work Station (MWS)














Robot Stand












Pneumatic Control Box










Recommended Plug & Play Hardware








| Category | Appearance | Company | Product Name | Manufacturer SKU Number* | Description | |
|----------|---|---------|---|--|--|--|
| Grippers |  | Robotiq | Adaptive Gripper 2-Finger 85/140 for OMRON TM robot | 85 kit: AGC-OMRON-KIT-85 140 kit: AGC-OMRON-KIT-140 | A 2-finger adaptive gripper that can adapt to parts of various shapes and sizes. Comes in two stroke options – 85mm and 140mm. Each kit includes: - End effector coupling kit - 10-meter communication cable - RS485 to RS232 converter - RS485 to USB converter - Screw kit - Quick start guide | |
| |  | | Hand-E gripper for OMRON TM robot | HND-OMRON-KIT | A 2-finger parallel gripper with an IP67 rating, 50mm stroke. Each kit includes: - Fingertip starting kit - End effector coupling kit - 10-meter communication cable - RS485 to RS232 converter - RS485 to USB converter - Screw kit - Quick start guide | |
| |  | | EPick for Omron TM robot | VAC-OMRON-EPICK-KIT1 | VAC-OMRON-EPICK-KIT2 | A vacuum gripper that uses an integrated vacuum generator. Each kit includes: -Basic gripper unit -End effector coupling kit -10-meter communicable cable -RS485 to RS232 converter -RS485 to USB converter -Quick start guide -Vacuum cup(s): 1.5 bellows, 55mm diameter |
| |  | | | VAC-OMRON-EPICK-KIT2 | | KIT1 includes 1 vacuum cup KIT2 has a suction system for 2 cups KIT4 has a suction system for 4 cups |
| |  | | | VAC-OMRON-EPICK-KIT4 | | KIT1 includes 1 vacuum cup KIT2 has a suction system for 2 cups KIT4 has a suction system for 4 cups |
| |  | | | VAC-OMRON-AIRPICK-KIT1 | | AirPick for Omron TM robot |
| |  | | VAC-OMRON-AIRPICK-KIT2 | KIT1 includes 1 vacuum cup KIT2 has a suction system for 2 cups KIT4 has a suction system for 4 cups | | |
| |  | | VA-OMRON-AIRPICK-KIT4 | KIT1 includes 1 vacuum cup KIT2 has a suction system for 2 cups KIT4 has a suction system for 4 cups | | |
| |  | | I/O Coupling | IO-CPL-OMRON-KIT | Component that connects the Robotiq adaptive/vacuum gripper to the wrist of the OMRON TM robot to eliminate the need for an external serial communication cable. Each kit includes: - I/O Coupling - Screw kit - Micro-USB to USB cable - 16G USB Stick | |
| |  | | Dual-Grip Adapter Plate | AGC-APL-159-002 | Adapter plate and mounting screws to mount two grippers onto the OMRON TM robot. | |
| |  | | 2F-85 Dual kit for OMRON Robots 2F-140 Dual kit for OMRON Robots HAND-E Dual kit for OMRON Robots | OMRON-DUAL-AGC-85 OMRON-DUAL-AGC-140 OMRON-DUAL-HND | Kit that enables dual gripper setting. Each kit includes: - Chosen gripper x 2 - Mechanical coupling x 2 - USB to RS485 Adapter - Communication Cable - M12 5 Pins Splitter - Dual-Grip Adapter Plate - Screw kit x 2 | |

* Manufacturer SKU numbers are 3rd party part numbers, not OMRON part numbers.

| Category | Appearance | Company | Product Name | Manufacturer SKU Number* | Description |
|----------|---|---------|------------------------------|--------------------------|--|
| Grippers |  | OnRobot | RG2 Gripper | 102012 | Electric 2-finger gripper. Each kit includes: - RG2 Gripper - Fingertip adapters (pre-mounted) - Integrated Quick Changer (tool side) - Torx key |
| |  | | RG6 Gripper | 102021 | Electric 2-finger gripper with larger stroke. Each kit includes: - RG2 Gripper - Fingertip adapters (pre-mounted) - Integrated Quick Changer (tool side) - Torx key |
| |  | | VG10 Electric Vacuum Gripper | 101661 | Flexible and adjustable electrical vacuum gripper. Each kit includes: - VG10 Gripper - d30mm suction cups x 16 (pre-mounted) - Integrated Quick Changer (tool side) - d40mm suction cups x4 - d15mm suction cups x4 - Blind screws x16 - Positioning arrows - Torx key |
| |  | | Gecko Gripper | 102215 | Gripper that uses van der Waals force to pick up flat and porous objects without compressed air. Each kit includes: - Gecko Gripper - Gecko Pads x4 (pre-mounted) - Integrated Quick Changer (tool side) - Spare Gecko Pads x8 - Pad removal tools |
| |  | | Quick Changer-robot side | 102037 | Manual tool changer to attach on the robot's end-of-arm. Either the Quick Changer (robot side) or the Dual Quick Changer must be purchased for use of all OnRobot grippers. Each kit includes: - Quick Changer robot side - Screws - Torx key |
| |  | | Quick Changer- tool side | 102014 | Manual tool changer to attach on the tool side. (All OnRobot grippers have this component integrated, so this is only necessary when user is developing own tool.) |
| |  | | Quick Changer Kit | 102277 | Each kit includes: - Quick Changer (robot side)x1 - Quick Changer (tool side)x2 - Torx key - Screws and pins |
| |  | | Dual Quick Changer | 101788 | Manual tool changer to attach on the robot's end-of-arm for dual gripper configuration. Either the Quick Changer (robot side) or the Dual Quick Changer must be purchased for use of all OnRobot grippers. Each kit includes: - Dual Quick Changer - Screws - Torx key |
| |  | | OMRON TM Robot Kit | 102359 | This kit must be purchased for the use of OnRobot grippers on OMRON TM collaborative robot. Each kit includes: - Compute Box - Power supply - Adapter plate (included in all kits but only necessary for VG10 and Gecko grippers) - USB stick with software components and User Manual - Device cable 5m - UTP cable 0.5m - I/O cable 0.3m - Cable management hook/loop |

| Category | Appearance | Company | Product Name | Manufacturer SKU Number* | Description |
|----------------|---|---------|--|-------------------------------|--|
| Grippers |  | Schmalz | ROB-SET ECBPi OMRON | 10.03.01.00544 | Complete vacuum gripper for collaborative robots. Each kit includes: - Vacuum generator (ECBPI) - End-effector coupling kit - Connection cable - Mounting flange - Flat suction cup - Bellows suction cup - Bolts and t-nuts - Operating instructions |
| |  | | ROB-SET FXCB OMRON | 10.01.43.00120 | Area gripper equipped with integrated pneumatic vacuum generation. (Needs external air supply.) Each kit includes: - Pneumatic area gripper (FXCB) - Connection cable - Mounting flange - Bolts and t-nuts - Operating instructions |
| |  | Schunk | Co-act EGP-C 40 N-N-TMID | 1374363 | Electric 2-finger parallel gripper certified for collaborative operation with actuation via 24 V and digital I/O. Each kit includes: - Co-act EGP-C gripper - Assembly and Operating Manual - Accessory pack |
| |  | | Co-act AUB EGP 40/12 Co-act AUB EGP 40/24 Co-act AUB-F EGP 40/xx | 1401285 1401286 1409839 | Gripping fingers for Co-act EGP-C. |
| 3D Bin Picking |  | Pick-it | Pick-it M | PI-M-2.0 | Plug & Play 3D camera and software for picking objects sized 50x50x10mm or larger. Each kit includes: - Pre-calibrated 3D camera - Pick-it software - Industrial processor - 3G dongle to connect directly to Pick-it support - Calibration plate and ROI box teaching markers - All connection cables (plug & play) - Quick start guide |
| |  | | Pick-it M-HD | PI-M-HD | Plug & Play 3D camera and software for picking objects sized 10x10x5mm or larger. Each kit includes: - Pre-calibrated 3D camera - Pick-it software - Industrial processor - 3G dongle to connect directly to Pick-it support - Calibration plate and ROI box teaching markers - All connection cables (plug & play) - Quick start guide |
| Screw Driving |  | Kilews | Screw Driving Solution Kit | TM-BN512LAD-□.□ | Kilews screwdriver kit and pneumatic control box. Each kit includes: -Screwdriver SKD-BN512LM -Power control Box SKP-32BC-60W -Flange E31700-3 -Air Nozzle KS-TM-B500-□.0 -Singal Box KL-SCBSN |

* Manufacturer SKU numbers are 3rd party part numbers, not OMRON part numbers.

| Category | Appearance | Company | Product Name | Manufacturer SKU Number* | Description |
|-----------------------------|---|-------------|---|-------------------------------|---|
| Vision |  | Basler | GigE camera, color, 5MP, CMOS 1/2.5", 14 fps | acA2500-14gc, Rolling Shutter | External camera for eye-to-hand robot applications. Maximum 2 external cameras per robot. |
| | | | GigE camera, mono, 5MP, CMOS 1/2.5", 14 fps | acA2500-14gm, Rolling Shutter | |
| | | | GigE camera, color, 5MP, CMOS 1", 21fps | acA2500-20gc, Global Shutter | |
| | | | GigE camera, mono, 5MP, CMOS 1", 21 fps | acA2500-20gm, Global Shutter | |
| | | | GigE camera, color, 5MP, CMOS 2/3", 23fps | acA2440-20gc, Global Shutter | |
| | | | GigE camera, mono, 5MP, CMOS 2/3", 23 fps | acA2440-20gm, Global Shutter | |
| | | | GigE, camera, color, 10MP, CMOS 1/2.3", 10 fps | acA3800-10gc, Rolling Shutter | |
| | | | GigE, camera, mono, 10MP, CMOS 1/2.3", 10 fps | acA3800-10gm, Rolling Shutter | |
| | | | GigE, camera, color, 12.2 MP, CMOS 1/1.7", 8 fps | acA4024-8gc, Rolling Shutter | |
| | | | GigE, camera, mono, 12.2 MP, CMOS 1/1.7", 8 fps | acA4024-8gm, Rolling Shutter | |
| Force sensor |  | ATI | Axia80 | 9105-TM-Axia80 | Six-axis force/torque sensor with EtherCAT communication. Each kit includes: - Interface plate - Power and Ethernet cable - Digital delivery of calibration documents and user manual |
| |  | Robotiq | FT-300 | FTS-300-OMRON-KIT | Six-axis force/torque sensor with RS485 Serial Communication. Each kit includes: - Coupling - RS485 to RS232 converter - Power and communication cable with USB adapter - Screw kit |
| Connectivity |  | ADLINK | EtherCAT I/O Expansion Modules KIT | EPS - 9905+6000+2032+1132 | A Kit that includes: chassis w/ EtherCAT ports and voltage input, 32-channel digital output module, 32-channel digital input module. |
| | | | EtherCAT I/O Expansion Modules (DO Module) | EPS-2032 | 32-channel digital output module. |
| | | | EtherCAT I/O Expansion Modules (DI Module) | EPS-1132 | 32-channel digital input module. |
| |  | Advantech | Serial Device Server EKI-1524-CE | EKI-1524-CE | External device with serial ports that communicates with the robot via TCP/IP. |
| Modbus to PROFINET Gateways | EKI-1242IPNMS | | A gateway to transform Omron TM robot's Modbus to PROFINET, whereby Omron TM robot as slave could communicate with PROFINET master devices. | | |
| Cable Management |  | Murrplastik | FHS-C-SET TM5 (TM5-700 & TM5-900) | 83693500 | Cable management dress pack. Each kit includes: Conduit (Cable routing hose, Length:2m, Interior diameter: ~21mm) 4x Attachment straps 2x End plugs Cable insertion tool Installation instructions |
| | | | FHS-C-SET TM12 / TM14 (TM12 & TM14) | 83693501 | |
| |  | | FHS-RS-SET TM5 (TM5-700 & TM5-900) | 83693506 | Cable management dress pack. Each kit includes: Conduit (Cable routing hose, Length:2m, Interior diameter: ~21mm) 2x Conduit clamps Self-retracting hose guide (2x Ball joint fixing, Ball joint strain relief, Feedback system, System holder) Tool-end clamp End sleeve Cable puller Installation instructions |
| | | | FHS-RS-SET TM12 / TM14 (TM12 & TM14) | 83693507 | |

* Manufacturer SKU numbers are 3rd party part numbers, not OMRON part numbers.

Ordering Information

Model Number Legend

RT6 - 0 0 0 7 0 0 0

(1) (2) (3) (4) (5) (6) (7) (8)

| No. | Item | Specifications | Symbol |
|--------|--------------------------------|------------------------------|--------|
| (1) | Collaborative Robots - Techman | | |
| (2) | Model Type | TM5 | 0 |
| | | TM12 | 1 |
| | | TM14 | 2 |
| (3) | Power Supply | AC | 0 |
| | | DC | 1 |
| (4) | Eye in Hand | Standard | 0 |
| | | X Model *1 | 1 |
| (5)(6) | Arm Length | 700 (TM5) | 70 |
| | | 900 (TM5) | 90 |
| | | 1300 (TM12) | 13 |
| | | 1100 (TM14) | 11 |
| (7) | Semi | Standard | 0 |
| | | Semi | 1 |
| (8) | Cable Length | Standard Length (3m/1.5m) *2 | 1 |
| | | Extended Length (12m) *3 | 2 |

*1. X model refers to robot models without integrated camera system.

*2. 1.5m cable is only standard on DC models.

*3. 12m cable is not available on DC models.

Cobot Part Number List

| Type | Part Number |
|---------------------|-------------|
| TM5-700 | RT6-0007001 |
| TM5-700, 12m cable | RT6-0007002 |
| TM5X-700 | RT6-0017001 |
| TM5X-700, 12m cable | RT6-0017002 |
| TM5M-700 | RT6-0107001 |
| TM5M-700 SEMI | RT6-0107011 |
| TM5MX-700 | RT6-0117001 |
| TM5-900 | RT6-0009001 |
| TM5-900, 12m cable | RT6-0009002 |
| TM5X-900 | RT6-0019001 |
| TM5X-900, 12m cable | RT6-0019002 |
| TM5M-900 | RT6-0109001 |
| TM5M-900 SEMI | RT6-0109011 |
| TM5MX-900 | RT6-0119001 |
| TM12 | RT6-1001301 |
| TM12, 12m cable | RT6-1001302 |
| TM12X | RT6-1011301 |
| TM12X, 12m cable | RT6-1011302 |
| TM12M | RT6-1101301 |
| TM12M SEMI | RT6-1101311 |
| TM12MX | RT6-1111301 |
| TM14 | RT6-2001101 |
| TM14, 12m cable | RT6-2001102 |
| TM14X | RT6-2011101 |
| TM14X, 12m cable | RT6-2011102 |
| TM14M | RT6-2101101 |
| TM14M SEMI | RT6-2101111 |
| TM14MX | RT6-2111101 |

Accessories Part Number List

| Type | Part Number |
|--|-------------|
| Landmark | RT6-A000008 |
| Mobile Workstation (MWS) | RT6-A000010 |
| Robot stand | RT6-A000009 |
| SSD with cable | RT6-A000012 |
| Kit, calibration set with additional pin | RT6-A000002 |
| Robot stick stand | RT6-A000000 |
| Pneumatic control box | RT6-A000015 |

Software Part Number List

| Type | Part Number |
|-----------------------------|--------------------|
| USB Dongle | RT6-A000004 |
| TMflow | N/A, Free Download |
| TM Identify & Measure | RT6-S100000 |
| TM External Vision | RT6-S100002 |
| TM OCR | RT6-S100003 |
| TMflow Editor | RT6-S200001 |
| TMflow Editor - Offline AOI | RT6-S100005 |

Related Manuals

| Manual No. | English Title |
|------------|--|
| I623 | TM5 Regular Payload Series Hardware Installation Manual |
| I624 | TM12 & TM14 Medium & Heavy Payload Series Hardware Installation Manual |
| I626 | Software Manual TMflow |
| I627 | Software Manual TMvision |
| I628 | TM Mobile Work Station Manual |
| I629 | TM Robot Stand Manual |
| I630 | Pneumatic Control Box Manual |
| I648 | Safety Manual Safety System 3.2 |
| I848 | Expression Editor and Listen Node Reference Guide |

Robot Parts Code and Bundled Accessories

| Type | TM5-700 | | | | | TM5-900 | | | | |
|---------------------|---|-------------|---------------|---|-------------|---|-------------|---------------|---|-------------|
| | TM5-700 | TM5M-700 | TM5M-700 SEMI | TM5X-700 | TM5MX-700 | TM5-900 | TM5M-900 | TM5M-900 SEMI | TM5X-900 | TM5MX-900 |
| Product Name | | | | | | | | | | |
| Part Number | RT6-000700□ | RT6-010700□ | RT6-010701□ | RT6-001700□ | RT6-011700□ | RT6-000900□ | RT6-010900□ | RT6-010901□ | RT6-001900□ | RT6-011900□ |
| Overview | Robot and control box with built-in vision system | | | Robot and control box without vision system | | Robot and control box with built-in vision system | | | Robot and control box without vision system | |
| Purpose | Typical for use in single collaborative robot system | | | | | Typical for use in single collaborative robot system | | | | |
| Bundled Accessories | <ul style="list-style-type: none"> TM5-700 robot arm (1) Robot stick (1) Control box (1) Calibration plates (one large and one small) (not included with the X model bundles) IO cables (2) Landmark (2) (not included with the X model bundles) Ground wire (1) Conducting wire, 3 cm (2) Power cable for the control box (4 standard part number, 1 mobile part number) SEMI emergency OFF switch (SEMI model only) | | | | | <ul style="list-style-type: none"> TM5-900 robot arm (1) Robot stick (1) Control box (1) Calibration plates (one large and one small) (not included with the X model bundles) IO cables (2) Landmark (2) (not included with the X model bundles) Ground wire (1) Conducting wire, 3 cm (2) Power cable for the control box (4 standard part number, 1 mobile part number) SEMI emergency OFF switch (SEMI model only) | | | | |
| Type | TM12 | | | | | TM14 | | | | |
| | TM12 | TM12M | TM12M SEMI | TM12X | TM12MX | TM14 | TM14M | TM14M SEMI | TM14X | TM14MX |
| Product Name | | | | | | | | | | |
| Part Number | RT6-100130□ | RT6-110130□ | RT6-110131□ | RT6-101130□ | RT6-111130□ | RT6-200110□ | RT6-210110□ | RT6-210111□ | RT6-201110□ | RT6-211110□ |
| Overview | Robot and control box with built-in vision system | | | Robot and control box without vision system | | Robot and control box with built-in vision system | | | Robot and control box without vision system | |
| Purpose | Typical for use in single collaborative robot system | | | | | Typical for use in single collaborative robot system | | | | |
| Bundled Accessories | <ul style="list-style-type: none"> TM12 robot arm (1) Robot stick (1) Control box (1) Calibration plates (one large and one small) (not included with the X model bundles) IO cables (2) Landmark (2) (not included with the X model bundles) Ground wire (1) Conducting wire, 3 cm (2) Power cable for the control box (4 standard part number, 1 mobile part number) SEMI emergency OFF switch (SEMI model only) | | | | | <ul style="list-style-type: none"> TM14 robot arm (1) Robot stick (1) Control box (1) Calibration plates (one large and one small) (not included with the X model bundles) IO cables (2) Landmark (2) (not included with the X model bundles) Ground wire (1) Conducting wire, 3 cm (2) Power cable for the control box (4 standard part number, 1 mobile part number) SEMI emergency OFF switch (SEMI model only) | | | | |

* Please note the calibration plates and landmark are not included with the X model bundles.

Terms and Conditions Agreement

Read and understand this catalog.

Please read and understand this catalog before purchasing the products. Please consult your OMRON representative if you have any questions or comments.

Warranties.

- (a) Exclusive Warranty. Omron's exclusive warranty is that the Products will be free from defects in materials and workmanship for a period of twelve months from the date of sale by Omron (or such other period expressed in writing by Omron). Omron disclaims all other warranties, express or implied.
- (b) Limitations. OMRON MAKES NO WARRANTY OR REPRESENTATION, EXPRESS OR IMPLIED, ABOUT NON-INFRINGEMENT, MERCHANTABILITY OR FITNESS FOR A PARTICULAR PURPOSE OF THE PRODUCTS. BUYER ACKNOWLEDGES THAT IT ALONE HAS DETERMINED THAT THE PRODUCTS WILL SUITABLY MEET THE REQUIREMENTS OF THEIR INTENDED USE.

Omron further disclaims all warranties and responsibility of any type for claims or expenses based on infringement by the Products or otherwise of any intellectual property right. (c) Buyer Remedy. Omron's sole obligation hereunder shall be, at Omron's election, to (i) replace (in the form originally shipped with Buyer responsible for labor charges for removal or replacement thereof) the non-complying Product, (ii) repair the non-complying Product, or (iii) repay or credit Buyer an amount equal to the purchase price of the non-complying Product; provided that in no event shall Omron be responsible for warranty, repair, indemnity or any other claims or expenses regarding the Products unless Omron's analysis confirms that the Products were properly handled, stored, installed and maintained and not subject to contamination, abuse, misuse or inappropriate modification. Return of any Products by Buyer must be approved in writing by Omron before shipment. Omron Companies shall not be liable for the suitability or unsuitability or the results from the use of Products in combination with any electrical or electronic components, circuits, system assemblies or any other materials or substances or environments. Any advice, recommendations or information given orally or in writing, are not to be construed as an amendment or addition to the above warranty.

See <http://www.omron.com/global/> or contact your Omron representative for published information.

Limitation on Liability; Etc.

OMRON COMPANIES SHALL NOT BE LIABLE FOR SPECIAL, INDIRECT, INCIDENTAL, OR CONSEQUENTIAL DAMAGES, LOSS OF PROFITS OR PRODUCTION OR COMMERCIAL LOSS IN ANY WAY CONNECTED WITH THE PRODUCTS, WHETHER SUCH CLAIM IS BASED IN CONTRACT, WARRANTY, NEGLIGENCE OR STRICT LIABILITY.

Further, in no event shall liability of Omron Companies exceed the individual price of the Product on which liability is asserted.

Suitability of Use.

Omron Companies shall not be responsible for conformity with any standards, codes or regulations which apply to the combination of the Product in the Buyer's application or use of the Product. At Buyer's request, Omron will provide applicable third party certification documents identifying ratings and limitations of use which apply to the Product. This information by itself is not sufficient for a complete determination of the suitability of the Product in combination with the end product, machine, system, or other application or use. Buyer shall be solely responsible for determining appropriateness of the particular Product with respect to Buyer's application, product or system. Buyer shall take application responsibility in all cases.

NEVER USE THE PRODUCT FOR AN APPLICATION INVOLVING SERIOUS RISK TO LIFE OR PROPERTY OR IN LARGE QUANTITIES WITHOUT ENSURING THAT THE SYSTEM AS A WHOLE HAS BEEN DESIGNED TO ADDRESS THE RISKS, AND THAT THE OMRON PRODUCT(S) IS PROPERLY RATED AND INSTALLED FOR THE INTENDED USE WITHIN THE OVERALL EQUIPMENT OR SYSTEM.

Programmable Products.

Omron Companies shall not be responsible for the user's programming of a programmable Product, or any consequence thereof.

Performance Data.

Data presented in Omron Company websites, catalogs and other materials is provided as a guide for the user in determining suitability and does not constitute a warranty. It may represent the result of Omron's test conditions, and the user must correlate it to actual application requirements. Actual performance is subject to the Omron's Warranty and Limitations of Liability.

Change in Specifications.

Product specifications and accessories may be changed at any time based on improvements and other reasons. It is our practice to change part numbers when published ratings or features are changed, or when significant construction changes are made. However, some specifications of the Product may be changed without any notice. When in doubt, special part numbers may be assigned to fix or establish key specifications for your application. Please consult with your Omron's representative at any time to confirm actual specifications of purchased Product.

Errors and Omissions.

Information presented by Omron Companies has been checked and is believed to be accurate; however, no responsibility is assumed for clerical, typographical or proofreading errors or omissions.

OMRON Corporation Industrial Automation Company

Kyoto, JAPAN

Contact: www.ia.omron.com

Regional Headquarters

OMRON EUROPE B.V.

Wegalaan 67-69, 2132 JD Hoofddorp
The Netherlands
Tel: (31)2356-81-300/Fax: (31)2356-81-388

OMRON ASIA PACIFIC PTE. LTD.

No. 438A Alexandra Road # 05-05/08 (Lobby 2),
Alexandra Technopark,
Singapore 119967
Tel: (65) 6835-3011/Fax: (65) 6835-2711

OMRON ELECTRONICS LLC

2895 Greenspoint Parkway, Suite 200 Hoffman Estates,
IL 60169 U.S.A.
Tel: (1) 847-843-7900/Fax: (1) 847-843-7787

OMRON ROBOTICS AND SAFETY TECHNOLOGIES, INC.

4550 Norris Canyon Road, Suite 150, San Ramon, CA 94583 U.S.A.
Tel: (1) 925-245-3400/Fax: (1) 925-960-0590

OMRON (CHINA) CO., LTD.

Room 2211, Bank of China Tower, 200 Yin Cheng Zhong Road,
PuDong New Area, Shanghai, 200120, China
Tel: (86) 21-5037-2222/Fax: (86) 21-5037-2200

Authorized Distributor:

© OMRON Corporation 2019-2020 All Rights Reserved.
In the interest of product improvement,
specifications are subject to change without notice.

CSM_3_2_0120

Cat. No. 1B37-E-05

0120 (1018)